



# Illustrated Parts List

## Model Series

# 21B900

TYPE NUMBERS  
0015 through 0206.

### TABLE OF CONTENTS

<b>Air Cleaner</b> .....	6
<b>Alternator</b> .....	9
<b>Blower Housing</b> .....	6
<b>Camshaft</b> .....	3
<b>Carburetor</b> .....	5
<b>Controls</b> .....	8
<b>Crankshaft</b> .....	3
<b>Cylinder</b> .....	2
<b>Cylinder Head</b> .....	4
<b>Electric Starter</b> .....	7
<b>Engine Sump</b> .....	2
<b>Fuel Supply</b> .....	8
<b>Flywheel</b> .....	7
<b>Gasket Set - Engine</b> .....	4
<b>Gasket Set - Valve</b> .....	4
<b>Governor Spring</b> .....	8
<b>Exhaust System</b> .....	6
<b>Ignition</b> .....	8
<b>Intake Manifold</b> .....	4
<b>Kit - Carburetor Overhaul</b> .....	5
<b>Lubrication</b> .....	3
<b>Operator's Manual</b> .....	2
<b>Piston, Rings, Connecting Rod</b> .....	3
<b>Rewind Starter</b> .....	7
<b>Valves</b> .....	4
<b>Warning Label</b> .....	2

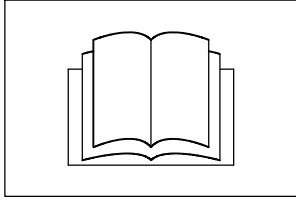
Not for reproduction



PRINTED IN U.S.A.

COPYRIGHT by BRIGGS & STRATTON CORPORATION  
All rights reserved. No part of this material may be reproduced or transmitted, in any form or by any means, electronic or mechanical, including photocopying, recording or by any information storage and retrieval system, without permission in writing from Briggs & Stratton Corporation.

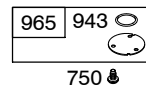
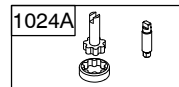
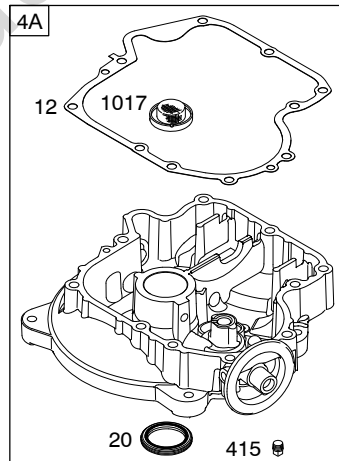
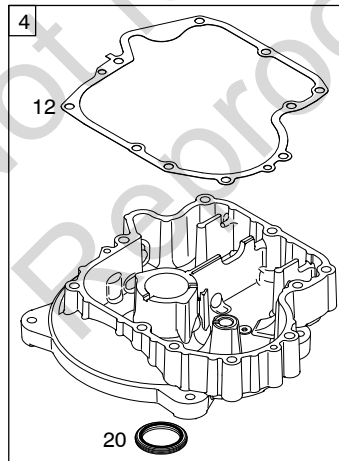
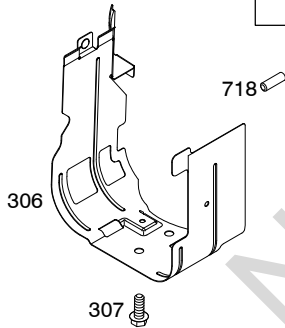
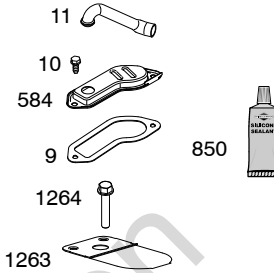
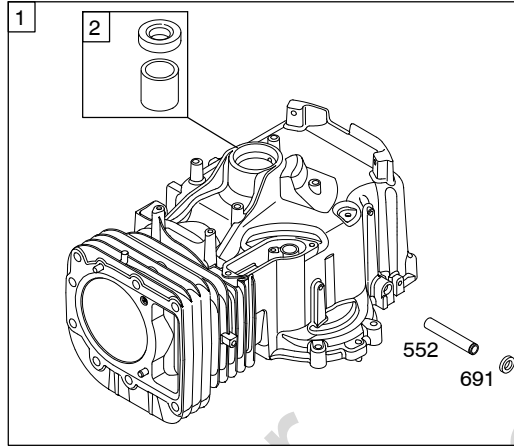
1058 OPERATOR'S MANUAL



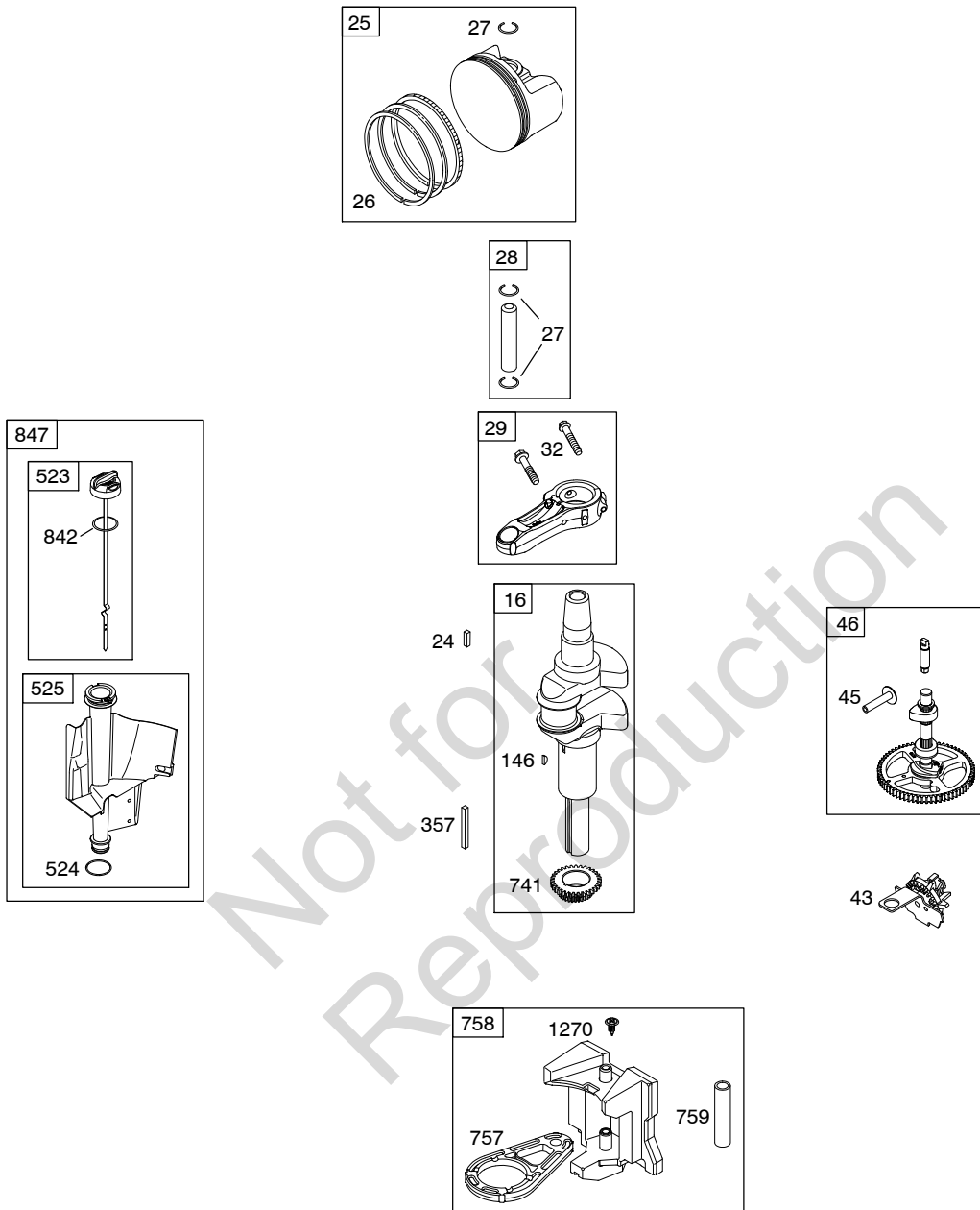
1319 WARNING LABEL

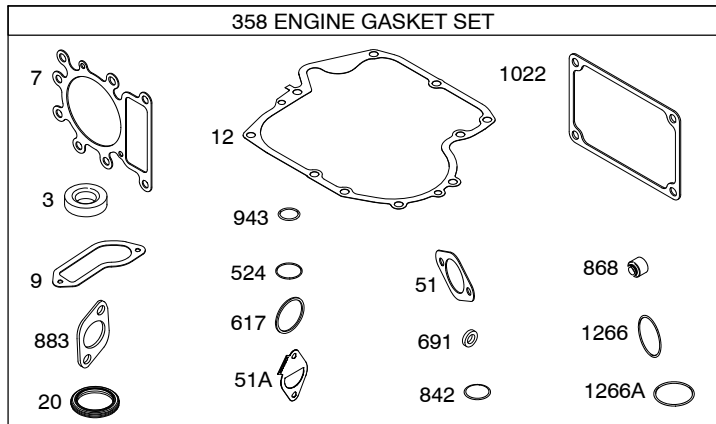
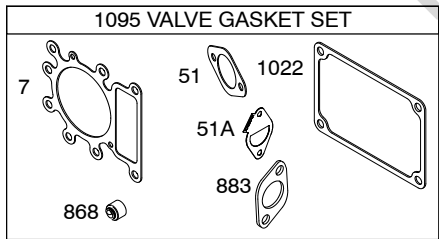
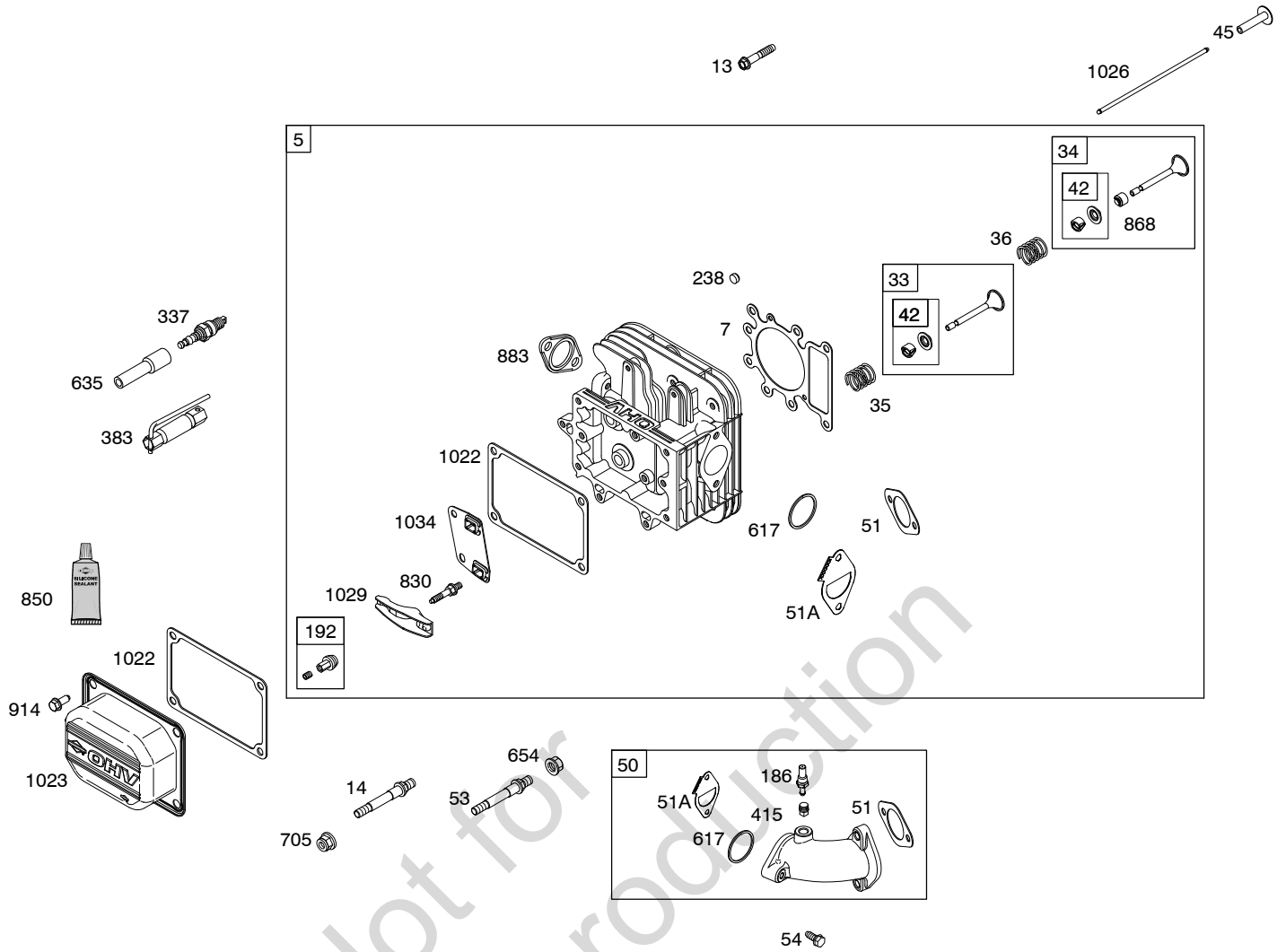
<b>WARNING</b>	
	Read and follow Operating Instructions before running engine.
	Gasoline is flammable. Allow engine to cool at least 2 minutes before refueling.
	Engines emit carbon monoxide, DO NOT run in enclosed area.
	Muffler area temperature may exceed 150°F. Do not touch hot parts.

**REQUIRED** when replacing parts with warning labels affixed.

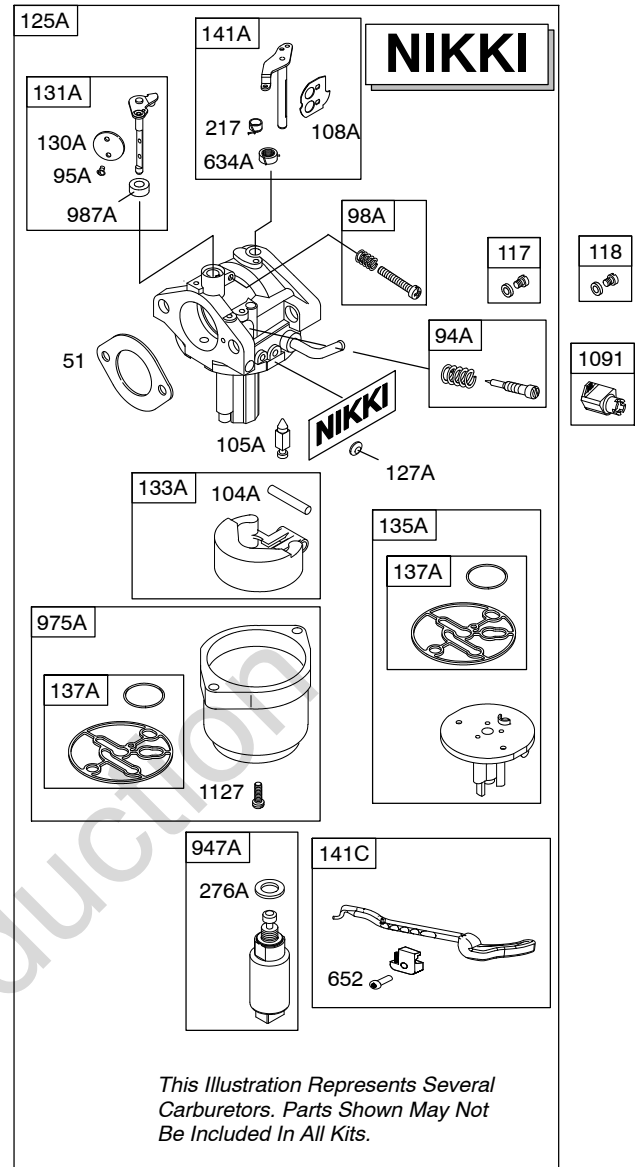
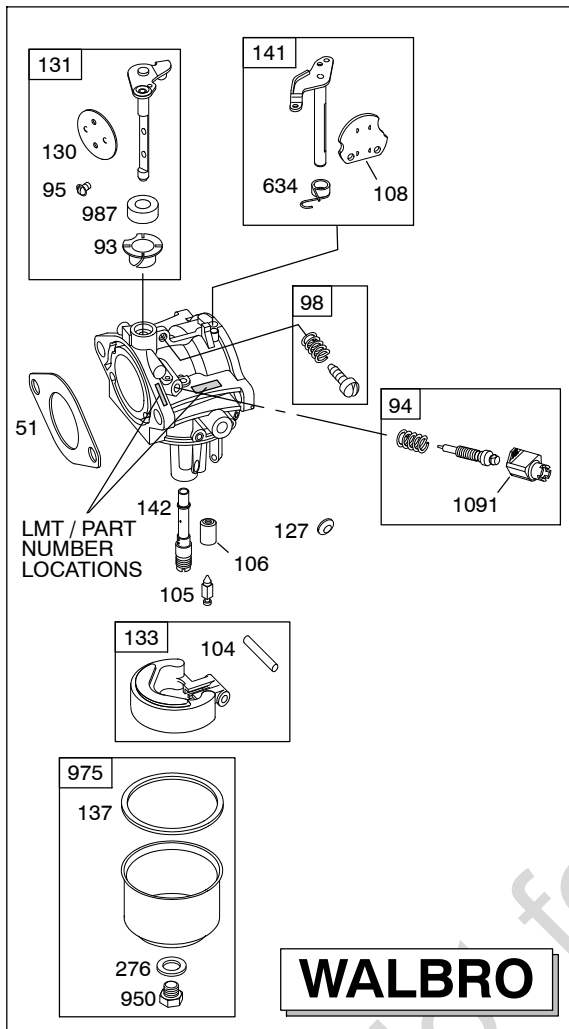


Illustrations cover a range of engines. Parts shown without corresponding text may not be used on your specific engine.  
 5036-2 Assemblies include all parts shown in frames. 03/23/2009





Illustrations cover a range of engines. Parts shown without corresponding text may not be used on your specific engine.  
 5036-4 Assemblies include all parts shown in frames. 03/23/2009

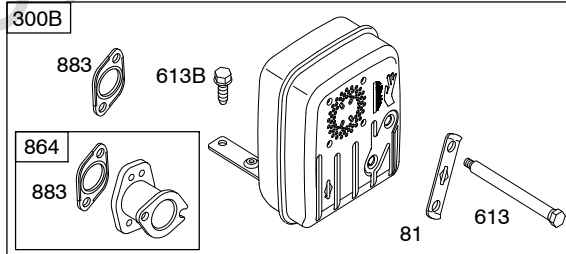
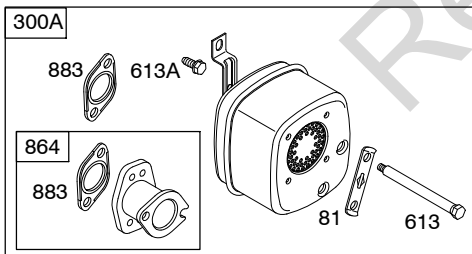
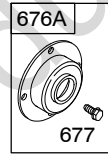
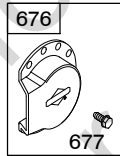
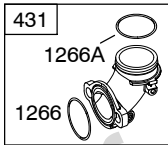
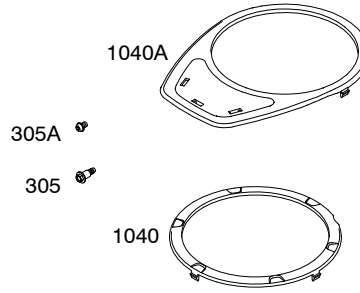
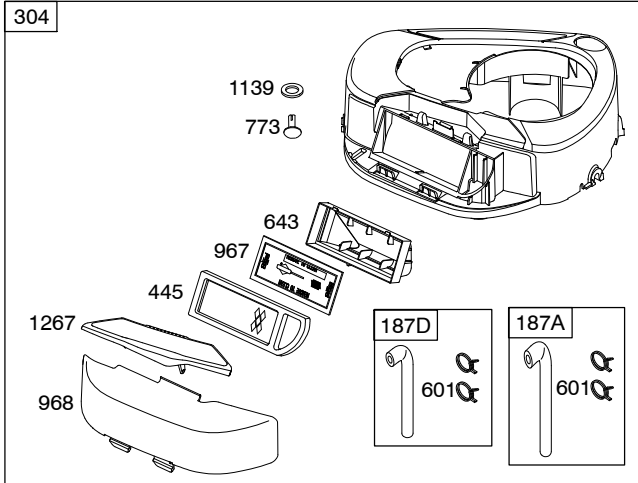


121 CARBURETOR OVERHAUL KIT			
51	104	137	987
	105	142	617
93	106	634	1266
95	127	276	1266A

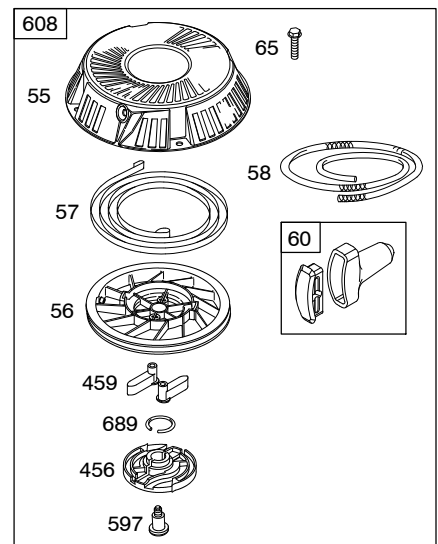
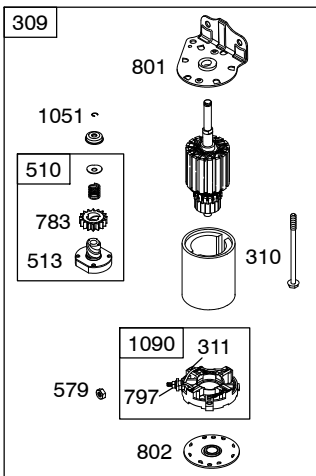
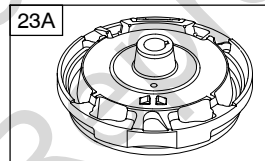
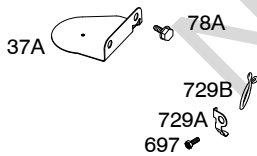
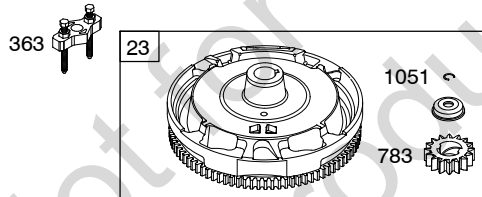
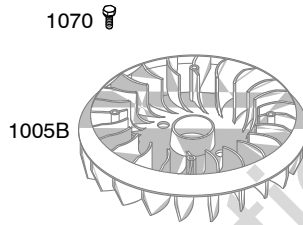
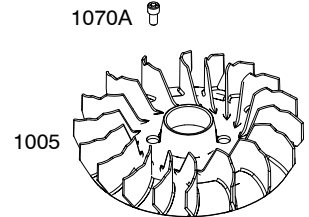
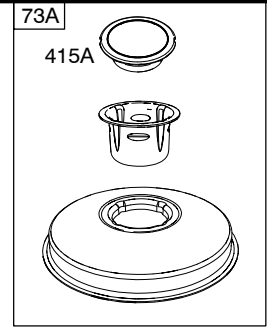
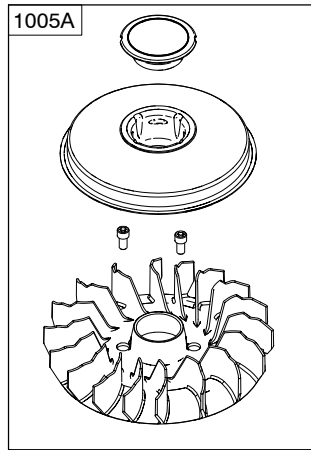
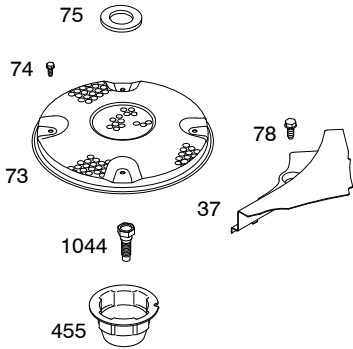
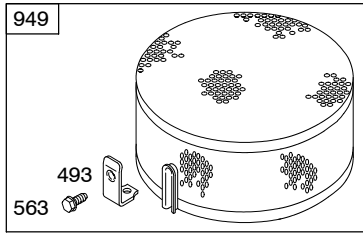
121A CARBURETOR OVERHAUL KIT			
51	98A	137A	1266
95A	987A		1266A
104A	634A	51A	617
105A	217		127A

977 CARBURETOR GASKET SET		
51	137	276

1036 EMISSIONS LABEL

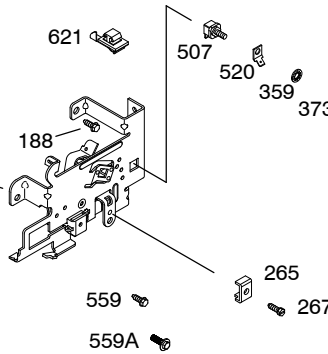
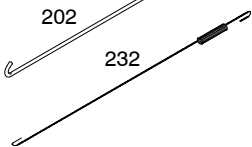
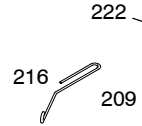
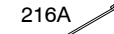
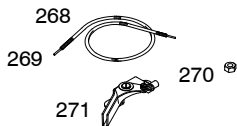
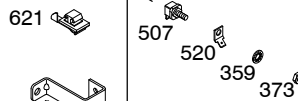
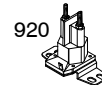
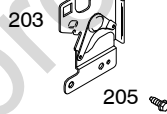
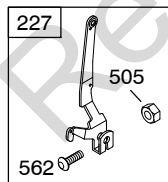
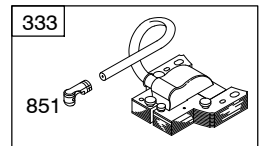
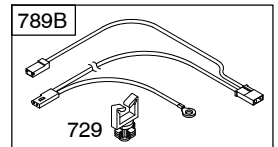
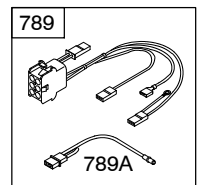
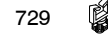
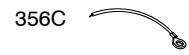
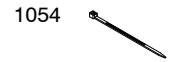
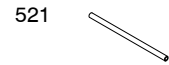
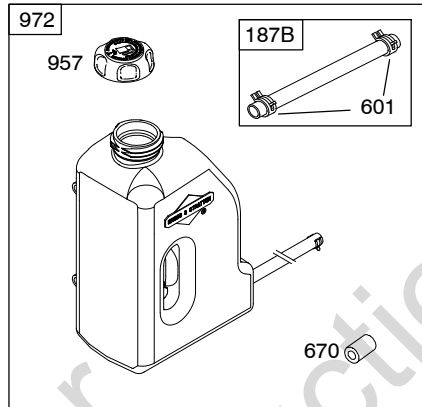
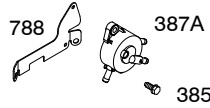
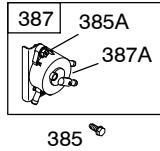
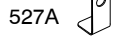
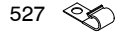
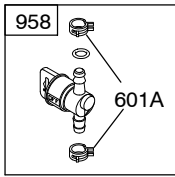
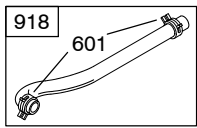
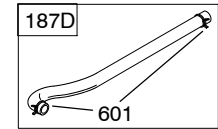
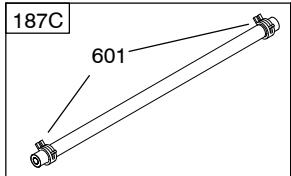
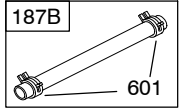
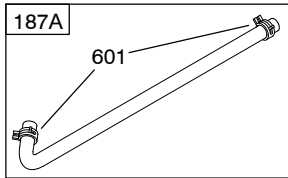
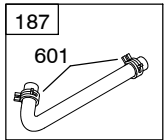


Illustrations cover a range of engines. Parts shown without corresponding text may not be used on your specific engine.  
 5036-6 Assemblies include all parts shown in frames. 03/23/2009



Illustrations cover a range of engines. Parts shown without corresponding text may not be used on your specific engine.  
 5036-7 Assemblies include all parts shown in frames. 03/23/2009

# 21B900



Illustrations cover a range of engines. Parts shown without corresponding text may not be used on your specific engine.  
 5036-8 Assemblies include all parts shown in frames. 03/23/2009



DC ONLY		DUAL CIRCUIT		TRI CIRCUIT		10 - 16 AMP	
474A	1059	474B	1059	474C	1059	474D	1059

--	--	--	--

**NOTE:** All stators use a No. 1119 mounting screw.

**NOTE:** The proper flywheel part number and/or the alternator magnet size will determine the alternator type or output. See repair instruction manual for additional information.

Not for  
Reproduction

# 21B900

REF. NO.	PART NO.	DESCRIPTION	REF. NO.	PART NO.	DESCRIPTION	REF. NO.	PART NO.	DESCRIPTION
1	697377	Cylinder Assembly	5	796183	Head-Cylinder	23A	693555	Flywheel
2	399265	Kit-Bushing/Seal (Magneto Side)	7	273280S	Gasket-Cylinder Head			(Rewind Starter)
3	391086S	Seal-Oil (Magneto Side)	9	697109	Gasket-Breather (Used Before Code Date 07071900).			Used on Type No(s). 0015, 0016, 0117, 0142.
4	697106	Sump-Engine (Used After Code Date 05100200).			(After Date Code Use Liquid Sealant Reference 850)			----- Note -----
		----- Note -----	10	697157	Screw (Breather Assembly)			<b>698283</b> Flywheel (Rewind Starter)
		<b>795940</b> Sump-Engine (Used Before Code Date 05100200).	11	794683	Tube-Breather	24	222698S	Key-Flywheel
		Must Use Kit 795940, Includes Sump And Counterweight.	12	697110	Gasket-Crankcase (.015" Thick) (Standard)	25	792307	Piston Assembly (Standard)
4A	697188	Sump-Engine (Used After Code Date 05100200). Used on Type No(s). 0016, 0036, 0038, 0110, 0114, 0116, 0117, 0119, 0120, 0123, 0124, 0126, 0127, 0129, 0130, 0136, 0138, 0141, 0142, 0146, 0147, 0149, 0152, 0155, 0156, 0157, 0160, 0163, 0183, 0190, 0193, 0194, 0195, 0197, 0198, 0202, 0205, 0206.	13	690360	Screw (Cylinder Head)			----- Note -----
		----- Note -----	14	790560	Stud (Cylinder Head)			<b>792728</b> Piston Assembly (.020" Oversize)
		<b>795957</b> Sump-Engine (Used Before Code Date 05100200). Used on Type No(s). 0016, 0036, 0038, 0110, 0114, 0116, 0117, 0119, 0120, 0123, 0124, 0126, 0127, 0129, 0130, 0136, 0138, 0141, 0142, 0146, 0147, 0149, 0152, 0155, 0156, 0157, 0160, 0163, 0183, 0190, 0193, 0194, 0195, 0197, 0198, 0202, 0205, 0206.	15	690946	Plug-Oil Drain (3/8" Standard)	26	792306	Ring Set (Standard)
		----- Note -----	16	697390	Crankshaft			----- Note -----
		<b>795957</b> Sump-Engine (Used Before Code Date 05100200). Used on Type No(s). 0016, 0036, 0038, 0110, 0114, 0116, 0117, 0119, 0120, 0123, 0124, 0126, 0127, 0129, 0130, 0136, 0138, 0141, 0142, 0146, 0147, 0149, 0152, 0155, 0156, 0157, 0160, 0163, 0183, 0190, 0193, 0194, 0195, 0197, 0198, 0202, 0205, 0206.	20	795387	Seal-Oil (PTO Side)			<b>792643</b> Ring Set (.020" Oversize)
		----- Note -----	22	692125	Screw (Crankcase Cover/Sump)	27	698469	Lock-Piston Pin (Used After Code Date 02100300).
		<b>795957</b> Sump-Engine (Used Before Code Date 05100200). Used on Type No(s). 0016, 0036, 0038, 0110, 0114, 0116, 0117, 0119, 0120, 0123, 0124, 0126, 0127, 0129, 0130, 0136, 0138, 0141, 0142, 0146, 0147, 0149, 0152, 0155, 0156, 0157, 0160, 0163, 0183, 0190, 0193, 0203, 0205.	23	698281	Flywheel Used on Type No(s). 0026, 0036, 0038, 0120, 0121, 0124, 0129, 0131, 0132, 0138, 0140, 0141, 0146, 0147, 0149, 0152, 0153, 0159, 0163, 0183, 0190, 0193, 0203, 0205.			----- Note -----
		----- Note -----			----- Note -----			<b>698138</b> Lock-Piston Pin (Used Before Code Date 02100400).
		<b>693556</b> Flywheel Used on Type No(s). 0020, 0127, 0157, 0192, 0194, 0198, 0202.			<b>693557</b> Flywheel Used on Type No(s). 0028, 0126, 0154, 0156, 0160, 0164.	28	697099	Pin-Piston
		<b>698282</b> Flywheel Used on Type No(s). 0110, 0119, 0123, 0130, 0136, 0155, 0195, 0197, 0206.				29	791633	Rod-Connecting (Standard)
								----- Note -----
								<b>697262</b> Rod- Connecting (.020" Undersize) (Used Before Code Date 05040400).
						32	791118	Screw (Connecting Rod)
						33	695760	Valve-Exhaust
						34	791935	Valve-Intake
						35	691279	Spring-Valve (Intake)
						36	691279	Spring-Valve (Exhaust)

Illustrations cover a range of engines. Parts shown without corresponding text may not be used on your specific engine.  
5036-10 Assemblies include all parts shown in frames. 03/23/2009

# 21B900

REF. NO.	PART NO.	DESCRIPTION	REF. NO.	PART NO.	DESCRIPTION	REF. NO.	PART NO.	DESCRIPTION
37	697352	Guard-Flywheel	78	691003	Screw (Flywheel Guard)	117	796079	Jet-Main (Standard)(Nikki)
37A	697626	Guard-Flywheel (Electric Start) Used on Type No(s). 0015, 0016, 0020, 0022, 0114, 0116, 0117, 0121, 0142, 0192, 0194, 0202.	78A	690364	Screw (Flywheel Guard) (Electric Start) Used on Type No(s). 0015, 0016, 0020, 0022, 0114, 0116, 0117, 0121, 0142, 0192, 0194, 0202.			Used on Type No(s). 0205, 0206. ----- Note ----- <b>796079</b> Jet-Main (Standard)(Nikki) (Used After Code Date 08042700).
42	499586	Keeper-Valve	81	691178	Lock-Muffler Screw			Used on Type No(s). 0015G1, 0016G1, 0026G1, 0036G1.
43	691968	Slinger-Governor/Oil	93	690602	Bushing-Throttle Shaft (Walbro)			<b>796079</b> Jet-Main (Standard)(Nikki) (Used After Code Date 08121400).
45	690564	Tappet-Valve	94	794176	Kit-Idle Mixture (Walbro)			Used on Type No(s). 0015E1, 0016E1, 0020, 0022, 0026E1, 0028, 0029, 0036E1, 0038, 0117, 0124, 0127, 0129, 0131, 0132, 0138, 0140, 0141, 0142, 0152, 0154, 0156, 0157, 0160, 0194, 0197, 0202.
46	793880	Camshaft	94A	793610	Kit-Idle Mixture (Nikki)			<b>796079</b> Jet-Main (Standard)(Nikki) (Used After Code Date 08110500).
50	796188	Manifold-Intake ----- Note ----- <b>795756</b> Manifold- Intake Used on Type No(s). 0015G1, 0016G1, 0026G1, 0029G1, 0036G1, 0153, 0154, 0159, 0202G1, 0203.	95	691636	Screw (Throttle Valve) (Walbro)			Used on Type No(s). 0110, 0114, 0116, 0119, 0120, 0121, 0123, 0126, 0130, 0136, 0137, 0139, 0146, 0147, 0149, 0153, 0155, 0159, 0163, 0164, 0183, 0190, 0192, 0193, 0195, 0198, 0203.
51	692137	Gasket-Intake	95A	690718	Screw (Throttle Valve)(Nikki)			<b>794352</b> Jet-Main (Standard)(Nikki) (Used Before Code Date 08042800).
51A	796081	Gasket-Intake	98	495800	Kit-Idle Speed (Walbro)			Used on Type No(s). 0015G1, 0016G1, 0026G1, 0036G1.
53	690227	Stud (Carburetor)	98A	695408	Kit-Idle Speed (Nikki)			
54	691148	Screw (Intake Manifold)	104	690525	Pin-Float Hinge (Walbro)			
55	695130	Housing-Rewind Starter	104A	694918	Pin-Float Hinge (Nikki)			
56	695129	Pulley-Starter	105	231855S	Valve-Float Needle (Walbro)			
57	695131	Spring-Rewind Starter	105A	696136	Valve-Float Needle (Nikki)			
58	695132	Rope-Starter	106	690577	Seat-Inlet (Walbro)(Gravity Feed) ----- Note ----- <b>691780</b> Seat-Inlet (Walbro)(Pump Feed)			
60	493926	Grip-Starter Rope	108	691227	Valve-Choke (Walbro)			
65	690759	Screw (Rewind Starter) (Used After Code Date 07040800). ----- Note ----- <b>697725</b> Screw (Rewind Starter) (Used Before Code Date 07040900).	108A	698773	Valve-Choke (Nikki)			
73		Screen-Rotating (Service With Flywheel Fan 794440) (Used Before Code Date 07040900).						
73A	796308	Screen-Rotating (Used After Code Date 07040800).						
74	697897	Screw (Rotating Screen) (Used Before Code Date 07040900).						
75	690582	Washer (Flywheel)						

Illustrations cover a range of engines. Parts shown without corresponding text may not be used on your specific engine.  
5036-11 Assemblies include all parts shown in frames. 03/23/2009

# 21B900

REF. NO.	PART NO.	DESCRIPTION	REF. NO.	PART NO.	DESCRIPTION	REF. NO.	PART NO.	DESCRIPTION
	<b>794352</b>	Jet-Main (Standard)(Nikki) (Used Before Code Date 08121500 and After Code Date 07030400). Used on Type No(s). 0015E1, 0016E1, 0022, 0026E1, 0028, 0029, 0036E1, 0038.		<b>699897</b>	Jet-Main (Standard)(Nikki) (Used Before Code Date 07011500). Used on Type No(s). 0020, 0110, 0114, 0116, 0117, 0119, 0120, 0121, 0123, 0124, 0126, 0127, 0129, 0130, 0131, 0132, 0136, 0137, 0138, 0139, 0140, 0141, 0142, 0146, 0147, 0149, 0152, 0153, 0154, 0155, 0156, 0157, 0159, 0160, 0163, 0164, 0183, 0190, 0192, 0193, 0194, 0195, 0197, 0198, 0202, 0203.			0136, 0137, 0139, 0146, 0147, 0149, 0153, 0155, 0159, 0163, 0164, 0183, 0190, 0192, 0193, 0195, 0198, 0203.
	<b>794352</b>	Jet-Main (Standard)(Nikki) (Used Before Code Date 08110600 and After Code Date 07011400). Used on Type No(s). 0110, 0114, 0116, 0119, 0120, 0121, 0123, 0126, 0130, 0136, 0137, 0139, 0146, 0147, 0149, 0153, 0155, 0159, 0160, 0163, 0164, 0183, 0190, 0192, 0193, 0195, 0198, 0203.	<b>118</b>	<b>796080</b>	Jet-Main (High Altitude)(Nikki) (Used on Type No(s). 0205, 0206. ----- <b>Note</b> ----- <b>796080</b> Jet-Main (High Altitude)(Nikki) (Used After Code Date 08042700). Used on Type No(s). 0015G1, 0016G1, 0026G1, 0036G1.			<b>791405</b> Jet-Main (High Altitude)(Nikki) (Used Before Code Date 08042800). Used on Type No(s). 0015G1, 0016G1, 0026G1, 0036G1.
	<b>794352</b>	Jet-Main (Standard)(Nikki) (Used Before Code Date 08121500 and After Code Date 07011400). Used on Type No(s). 0020, 0117, 0124, 0127, 0129, 0131, 0132, 0138, 0140, 0141, 0142, 0152, 0154, 0156, 0157, 0160, 0194, 0197, 0202.		<b>796080</b>	Jet-Main (High Altitude)(Nikki) (Used After Code Date 08121400). Used on Type No(s). 0015E1, 0016E1, 0020, 0022, 0026E1, 0028, 0029, 0036E1, 0038, 0117, 0124, 0127, 0129, 0131, 0132, 0138, 0140, 0141, 0142, 0152, 0154, 0156, 0157, 0160, 0194, 0197, 0202.			<b>791405</b> Jet-Main (High Altitude)(Nikki) (Used Before Code Date 08121500 and After Code Date 07030400). Used on Type No(s). 0015E1, 0016E1, 0022, 0026E1, 0028, 0029, 0036E1, 0038.
	<b>699897</b>	Jet-Main (Standard)(Nikki) (Used Before Code Date 07030500). Used on Type No(s). 0015E1, 0016E1, 0022, 0026E1, 0028, 0029, 0036E1, 0038.		<b>796080</b>	Jet-Main (High Altitude)(Nikki) (Used After Code Date 08110500). Used on Type No(s). 0110, 0114, 0116, 0119, 0120, 0121, 0123, 0126, 0130,			<b>791405</b> Jet-Main (High Altitude)(Nikki) (Used Before Code Date 08121500 and After Code Date 07011400). Used on Type No(s). 0110, 0114, 0116, 0119, 0120, 0121, 0123, 0126, 0130, 0136, 0137, 0139, 0146, 0147, 0149, 0153, 0155, 0159, 0163, 0164, 0183, 0190, 0192, 0193, 0195, 0198, 0203.

REF. NO.	PART NO.	DESCRIPTION	REF. NO.	PART NO.	DESCRIPTION	REF. NO.	PART NO.	DESCRIPTION
		<p><b>791405</b> Jet-Main (High Altitude)(Nikki) (Used Before Code Date 08121500 and After Code Date 07011400). Used on Type No(s). 0020, 0117, 0124, 0127, 0129, 0131, 0132, 0138, 0140, 0141, 0142, 0152, 0154, 0156, 0157, 0160, 0194, 0197, 0202.</p> <p><b>699898</b> Jet-Main (High Altitude)(Nikki) (Used Before Code Date 07030500). Used on Type No(s). 0015E1, 0016E1, 0022, 0026E1, 0028, 0029, 0036E1, 0038.</p> <p><b>699898</b> Jet-Main (High Altitude)(Nikki) (Used Before Code Date 07011500). Used on Type No(s). 0020, 0110, 0114, 0116, 0117, 0119, 0120, 0121, 0123, 0124, 0126, 0127, 0129, 0130, 0131, 0132, 0136, 0137, 0138, 0139, 0140, 0141, 0142, 0146, 0147, 0149, 0152, 0153, 0154, 0155, 0156, 0157, 0159, 0160, 0163, 0164, 0183, 0190, 0192, 0193, 0194, 0195, 0197, 0198, 0202, 0203.</p>			<p><b>125A 796078</b> Carburetor (Nikki With Solenoid) Used on Type No(s). 0205, 0206. ----- Note ----- <b>796077</b> Carburetor (Nikki Without Solenoid) (Used After Code Date 08042700). Used on Type No(s). 0015G1, 0016G1, 0026G1, 0036G1. <b>796077</b> Carburetor (Nikki Without Solenoid) (Used After Code Date 08121400). Used on Type No(s). 0015E1, 0016E1, 0022, 0026E1, 0028, 0029, 0036E1, 0038. <b>796078</b> Carburetor (Nikki With Solenoid) (Used After Code Date 08110500). Used on Type No(s). 0110, 0114, 0116, 0119, 0120, 0121, 0123, 0126, 0130, 0136, 0137, 0139, 0146, 0147, 0149, 0153, 0155, 0159, 0163, 0164, 0183, 0190, 0192, 0193, 0195, 0198, 0203. <b>796078</b> Carburetor (Nikki With Solenoid) (Used After Code Date 08121400). Used on Type No(s). 0020, 0117, 0124, 0127, 0129, 0131, 0132, 0138, 0140, 0141, 0142, 0152, 0154, 0156, 0157, 0160, 0194, 0197, 0202. <b>794653</b> Carburetor (Nikki Without Solenoid) (Used Before Code Date 08042800). Used on Type No(s). 0015G1, 0016G1, 0026G1, 0036G1.</p>			<p><b>794653</b> Carburetor (Nikki Without Solenoid) (Used Before Code Date 08121500 and After Code Date 07030400). Used on Type No(s). 0015E1, 0016E1, 0022, 0026E1, 0028, 0029, 0036E1, 0038. <b>794294</b> Carburetor (Nikki With Solenoid) (Used Before Code Date 08110600 and After Code Date 07011400). Used on Type No(s). 0110, 0114, 0116, 0119, 0120, 0121, 0123, 0126, 0130, 0136, 0137, 0139, 0146, 0147, 0149, 0153, 0155, 0159, 0163, 0164, 0183, 0190, 0192, 0193, 0195, 0198, 0203. <b>794294</b> Carburetor (Nikki With Solenoid) (Used Before Code Date 08121500 and After Code Date 07011400). Used on Type No(s). 0020, 0117, 0124, 0127, 0129, 0131, 0132, 0138, 0140, 0141, 0142, 0152, 0154, 0156, 0157, 0160, 0194, 0197, 0202. <b>791266</b> Carburetor (Nikki Without Solenoid) (Used Before Code Date 07030500). Used on Type No(s). 0015E1, 0016E1, 0022, 0026E1, 0028, 0029, 0036E1, 0038.</p>
<b>121</b>	<b>790031</b>	Kit-Carburetor Overhaul (Walbro)						
<b>121A</b>	<b>698787</b>	Kit-Carburetor Overhaul (Nikki)						

# 21B900

REF. NO.	PART NO.	DESCRIPTION	REF. NO.	PART NO.	DESCRIPTION	REF. NO.	PART NO.	DESCRIPTION
	<b>791266</b>	Carburetor (Nikki Without Solenoid) (Used Before Code Date 07011500). Used on Type No(s). 0020, 0110, 0114, 0116, 0117, 0119, 0120, 0121, 0123, 0124, 0126, 0127, 0129, 0130, 0131, 0132, 0136, 0137, 0138, 0139, 0140, 0141, 0142, 0146, 0147, 0149, 0152, 0153, 0154, 0155, 0156, 0157, 0159, 0160, 0163, 0164, 0183, 0190, 0192, 0193, 0194, 0195, 0197, 0198, 0202, 0203.	<b>137</b>	<b>281165S</b>	Gasket-Float Bowl (Walbro)	<b>202</b>	<b>691841</b>	Link-Mechanical Governor
			<b>137A</b>	<b>698781</b>	Gasket-Float Bowl (Nikki)	<b>203</b>	<b>691381</b>	Crank-Bell Used on Type No(s). 0020, 0028.
			<b>141</b>	<b>790902</b>	Kit-Choke Shaft (Walbro)	<b>205</b>	<b>691693</b>	Screw (Bell Crank)
			<b>141A</b>	<b>698778</b>	Kit-Choke Shaft (Nikki)	<b>209</b>	<b>792602</b>	Spring-Governor (Red) Used on Type No(s). 0015, 0016, 0020, 0022, 0026, 0028, 0029, 0036, 0038, 0116, 0117, 0119, 0120, 0126, 0127, 0129, 0130, 0136, 0140, 0142, 0146, 0147, 0152, 0153, 0154, 0155, 0156, 0163, 0183, 0190, 0194, 0195, 0198, 0203.
			<b>142</b>	<b>790025</b>	Nozzle-Carburetor (Standard)(Walbro) (Used After Code Date 04100300). ----- <b>Note</b> ----- <b>697491</b> Nozzle-Carburetor (Standard)(Walbro) (Used Before Code Date 04100400).			
			<b>143</b>	<b>790028</b>	Nozzle-Carburetor (High Altitude)(Walbro) (Used After Code Date 04100300). ----- <b>Note</b> ----- <b>697492</b> Nozzle-Carburetor (High Altitude)(Walbro) (Used Before Code Date 04100400).			
<b>127</b>	<b>694524</b>	Plug-Welch (Walbro)	<b>146</b>	<b>691639</b>	Key-Timing			
<b>127A</b>	<b>690727</b>	Plug-Welch (Nikki)	<b>186</b>	<b>794873</b>	Connector-Hose			
<b>130</b>	<b>790024</b>	Valve-Throttle (Walbro) (Used After Code Date 04100300). ----- <b>Note</b> ----- <b>690468</b> Valve-Throttle (Walbro) (Used Before Code Date 04100400).	<b>187</b>	<b>791805</b>	Line-Fuel (Formed)(10-1/4 Inches Long)(Cut To Required Length)			
<b>130A</b>	<b>698774</b>	Valve-Throttle (Nikki)	<b>187A</b>	<b>791806</b>	Line-Fuel (Formed)(21 Inches Long)(Cut To Required Length)			
<b>131</b>	<b>790901</b>	Kit-Throttle Shaft (Walbro)	<b>187B</b>	<b>791766</b>	Line-Fuel (15 Inches Long)(Cut To Required Length)	<b>216</b>	<b>691840</b>	Link-Choke
<b>131A</b>	<b>698776</b>	Kit-Throttle Shaft (Nikki)	<b>187C</b>	<b>791745</b>	Line-Fuel (23 Inches Long)(Cut To Required Length)	<b>216A</b>	<b>691281</b>	Link-Choke Used on Type No(s). 0020, 0022, 0028, 0038.
<b>133</b>	<b>494381</b>	Float-Carburetor (Walbro)	<b>187D</b>	<b>791744</b>	Line-Fuel (14 Inches Long)(Cut To Required Length)	<b>217</b>	<b>695409</b>	Spring-Choke Return
<b>133A</b>	<b>694914</b>	Float-Carburetor (Nikki)	<b>188</b>	<b>691693</b>	Screw (Control Bracket)	<b>222</b>	<b>694042</b>	Bracket-Control
<b>135A</b>	<b>698780</b>	Tube-Fuel Transfer (Nikki)(Gravity Feed) ----- <b>Note</b> ----- <b>792022</b> Tube-Fuel Transfer (Nikki)(Pump Feed)	<b>192</b>	<b>691986</b>	Adjuster-Rocker Arm	<b>227</b>	<b>691374</b>	Lever-Governor Control
						<b>231</b>	<b>691636</b>	Screw (Choke Valve)
						<b>232</b>	<b>691842</b>	Spring-Governor Link
						<b>238</b>	<b>691843</b>	Cap-Valve
						<b>239</b>	<b>491657S</b>	Switch-Oil Pressure Used on Type No(s). 0142, 0157, 0202.

Illustrations cover a range of engines. Parts shown without corresponding text may not be used on your specific engine.  
5036-14 Assemblies include all parts shown in frames. 03/23/2009

# 21B900

REF. NO.	PART NO.	DESCRIPTION	REF. NO.	PART NO.	DESCRIPTION	REF. NO.	PART NO.	DESCRIPTION
240	298090S	Filter-Fuel (Red, 150 Microns) Used on Type No(s). 0110. ----- <b>Note</b> ----- <b>394358Ss</b> Filter-Fuel (White, 75 Microns) Used on Type No(s). 0114, 0116, 0119, 0120, 0121, 0123, 0126, 0130, 0136, 0137, 0139, 0146, 0147, 0149, 0153, 0159, 0155, 0163, 0164, 0183, 0190, 0192, 0193, 0195, 0198, 0203, 0205, 0206.	300A	796001	Muffler (Used After Code Date 08071300). Used on Type No(s). 0110, 0116, 0120, 0123, 0124, 0138, 0141, 0146, 0154, 0160, 0192, 0197, 0202, 0206. ----- <b>Note</b> ----- <b>794660</b> Muffler (Used Before Code Date 08071400). Used on Type No(s). 0110, 0116, 0120, 0123, 0124, 0138, 0141, 0146, 0154, 0160, 0192, 0197, 0202, 0206.	311	497608	Brush Set
240A	691035	Filter-Fuel (Clear, 40 Microns) Used on Type No(s). 0015, 0016, 0020, 0022, 0026, 0028, 0029, 0036, 0038, 0117, 0124, 0127, 0129, 0131, 0132, 0138, 0140, 0141, 0142, 0152, 0154, 0156, 0157, 0160, 0194, 0197, 0202.	300B	795997	Muffler (Used After Code Date 08042700). Used on Type No(s). 0015, 0016, 0020, 0022, 0026, 0028, 0029, 0036, 0038, 0117, 0121, 0126, 0127, 0129, 0140, 0142, 0152, 0156, 0157, 0194. ----- <b>Note</b> ----- <b>697349</b> Muffler (Used Before Code Date 08042800). Used on Type No(s). 0015, 0016, 0020, 0022, 0026, 0028, 0029, 0036, 0038, 0117, 0121, 0126, 0127, 0129, 0140, 0142, 0152, 0156, 0157, 0194.	333	795315	Armature-Magneto
265	691024	Clamp-Casing				334	691061	Screw (Magneto Armature)
267	794904	Screw (Casing Clamp)				337	491055S	Plug-Spark ----- <b>Note</b> ----- <b>691043</b> Plug-Spark Used on Type No(s). 0117, 0119, 0123, 0124, 0126, 0127, 0130, 0131, 0132, 0136, 0138, 0141, 0142, 0153, 0155, 0156, 0159, 0160, 0164, 0190, 0194, 0195, 0198, 0203. <b>792015</b> Plug-Spark Used on Type No(s). 0205.
268	691025	Casing-Control Wire (Cut To Required Length)				356	697397	Wire-Stop
269	691026	Wire-Control (Cut To Required Length)				356A	398808	Wire-Stop
270	691027	Nut (Control Wire Casing)				356B	697089	Wire-Stop
271	691028	Lever-Control				356C	399222	Wire-Stop
276	692255	Washer-Sealing (Walbro)	304	796414	Housing-Blower (Black)	357	691483	Key-Drive Pulley Used on Type No(s). 0119, 0127, 0130, 0136, 0155, 0156, 0195, 0198.
276A	695410	Washer-Sealing (Nikki)	305	697102	Screw (Blower Housing)	358	697151	Gasket Set-Engine
			305A	793376	Screw (Blower Housing)	359	691077	Washer (Ground Terminal) Used on Type No(s). 0119, 0127.
			306	697359	Shield-Cylinder	363	19203	Puller-Flywheel
			307	691003	Screw (Cylinder Shield)	373	691612	Nut (Ground Terminal) Used on Type No(s). 0119, 0127.
			309	693551	Motor-Starter	383	89838S	Wrench-Spark Plug
			310	690323	Screw (Starter Motor)	385	694476	Screw (Fuel Pump)
						385A	690297	Screw (Fuel Pump)
						387	697090	Pump-Fuel (Includes Mounting Bracket) (Used Before Code Date 08073000).
						387A	808656	Pump-Fuel
						404	691691	Washer (Governor Crank)
						415	690283	Plug (Sump)
						415A	794129	Plug (Cover/Retainer) (Used After Code Date 07040800).

*Illustrations cover a range of engines. Parts shown without corresponding text may not be used on your specific engine.*

# 21B900

REF. NO.	PART NO.	DESCRIPTION	REF. NO.	PART NO.	DESCRIPTION	REF. NO.	PART NO.	DESCRIPTION
431	697122	Elbow-Intake	501A	794360	Regulator (5 To 9 Amp Regulated) Used on Type No(s). 0110, 0119, 0123, 0127, 0130, 0136, 0155, 0156, 0195, 0197, 0198, 0206.	525	697184	Tube-Dipstick Used on Type No(s). 0110, 0114, 0116, 0120, 0121, 0123, 0126, 0130, 0136, 0137, 0139, 0146, 0147, 0149, 0153, 0155, 0159, 0163, 0164, 0183, 0190, 0192, 0193, 0195, 0198, 0203, 0205, 0206.
445	698413	Filter-Air Cleaner Cartridge (Non Washable)	501B	698315	Regulator (9 Amp Battery-Less) Used on Type No(s). 0020, 0192, 0194, 0202.	----- Note ----- 697085 Tube-Dipstick (Used On Engines With Fuel Pump) Used on Type No(s). 0015, 0016, 0020, 0022, 0026, 0028, 0029, 0036, 0038, 0117, 0124, 0127, 0129, 0131, 0132, 0138, 0140, 0141, 0142, 0152, 0154, 0156, 0157, 0160, 0194, 0197, 0202.		
455	695113	Cup-Flywheel Used on Type No(s). 0015, 0016, 0020, 0022, 0028, 0029, 0114, 0117, 0121, 0126, 0127, 0137, 0138, 0139, 0141, 0142, 0146, 0154, 0156, 0157, 0160, 0164, 0192, 0194, 0202.	501C	790292	Regulator (Dual) Used on Type No(s). 0154.	526A	697088	Screw (Regulator)(5 To 9 Amp Regulated)
456	695128	Plate-Pawl Friction	501D	691185	Regulator (10 To 16 Amp Regulated) Used on Type No(s). 0157.	526B	697348	Screw (Regulator)(9 Amp Battery-Less)
459	281505S	Pawl-Ratchet	505	691251	Nut (Governor Control Lever)	527	698467	Clamp-Tube Used on Type No(s). 0190.
474A	696578	Alternator (DC Only) Used on Type No(s). 0120, 0131, 0132, 0146.	507	691972	Insulator Used on Type No(s). 0119, 0127.	527A	792167	Clamp-Tube Used on Type No(s). 0020, 0022, 0028, 0038, 0152, 0154.
474B	696459	Alternator (Dual Circuit) Used on Type No(s). 0026, 0028, 0029, 0036, 0038, 0114, 0121, 0124, 0126, 0129, 0137, 0138, 0139, 0140, 0141, 0147, 0149, 0152, 0153, 0154, 0159, 0160, 0163, 0164, 0183, 0190, 0193, 0203, 0205.	510	693699	Drive-Starter	552	697144	Bushing-Governor Crank
474C	696457	Alternator (Tri Circuit) Used on Type No(s). 0020, 0110, 0119, 0123, 0127, 0130, 0136, 0155, 0156, 0192, 0194, 0195, 0197, 0198, 0202, 0206.	513	692024	Clutch-Drive	559	697561	Screw (Remote Choke Stop) (Assemble Remote/ Manual Choke Stop Screw in "R" Hole) Used on Type No(s). 0183, 0190.
474D	696458	Alternator (10-16 AMP) Used on Type No(s). 0157.	520	691084	Terminal-Ground Used on Type No(s). 0119, 0127.	559A	693675	Screw (Remote Choke Stop) (Assemble Speed Limiter Screw in Number "2" Hole) Used on Type No(s). 0190.
493	695450	Bracket-Mounting (Debris Screen Guard) Used on Type No(s). 0116, 0120.	521	690581	Shield-Cable Used on Type No(s). 0124, 0137, 0138, 0139, 0141, 0164, 0183, 0192, 0160.			
			523	699908	Dipstick			
			524	691032	Seal-Dipstick Tube			

Illustrations cover a range of engines. Parts shown without corresponding text may not be used on your specific engine.  
5036-16 Assemblies include all parts shown in frames. 03/23/2009



# 21B900

REF. NO.	PART NO.	DESCRIPTION	REF. NO.	PART NO.	DESCRIPTION	REF. NO.	PART NO.	DESCRIPTION
562	691119	Bolt (Governor Control Lever)	614	691620	Pin-Cotter	757	697607	Link-Counterweight
563	695449	Screw (Debris Screen Guard)	616	692012	Crank-Governor	758	697391	Counterweight (Used After Code Date 05100200).
578	692306	Wire Assembly	617	692138	Seal-O Ring (Intake Manifold)	----- Note -----		
579	691029	Nut (Starter Cable)	621	692310	Switch-Stop Used on Type No(s). 0119, 0127.	795940		Counterweight (Used Before Code Date 05100300). Must Use Kit 795940, Includes Sump And Counterweight.
584	794682	Cover-Breather Passage (Use With Liquid Sealant Reference 850)	634	690802	Spring/Seal Assembly (Walbro)	795957		Counterweight (Used Before Code Date 05100300). Used on Type No(s). 0016, 0036, 0038, 0110, 0114, 0116, 0117, 0119, 0120, 0123, 0124, 0126, 0127, 0129, 0130, 0136, 0138, 0141, 0142, 0146, 0147, 0149, 0152, 0155, 0156, 0157, 0163, 0183, 0190, 0193, 0194, 0195, 0197, 0198, 0202. Must Use Kit 795957, Includes Sump And Counterweight.
597	691696	Screw (Pawl Friction Plate)	634A	698779	Spring/Seal Assembly (Nikki)	759	697392	Pin-Counterweight
601	791850	Clamp-Hose	635	691909	Boot-Spark Plug	773	796448	Retainer
601A	691038	Clamp-Hose	643	697155	Retainer-Air Filter	783	693713	Gear-Pinion
608	695058	Starter-Rewind Used on Type No(s). 0015, 0016, 0020, 0022, 0028, 0029, 0114, 0116, 0117, 0120, 0121, 0126, 0127, 0137, 0138, 0139, 0141, 0142, 0146, 0154, 0156, 0157, 0160, 0164, 0192, 0194, 0202.	654	690958	Nut (Carburetor)	788	699347	Bracket-Fuel Pump (Used Before Code Date 08073000).
613	691416	Screw (Muffler)	670	796175	Spacer (Fuel Tank)	789	698329	Harness-Wiring
613A	691678	Screw (Muffler)	676	795036	Deflector-Muffler (Side Out) Used on Type No(s). 0015, 0016, 0020, 0022, 0026, 0028, 0029, 0036, 0038, 0123, 0127, 0129, 0138, 0140, 0141, 0152, 0154, 0156, 0157, 0160, 0197, 0202, 0206.	789A	790544	Harness-Wiring
613B	690297	Screw (Muffler)	676A	396903	Deflector-Muffler (Direct Out) Used on Type No(s). 0124.	789B	692037	Harness-Wiring
			677	690661	Screw (Muffler Deflector)	797	693167	Nut (Brush Retainer)
			689	691855	Spring-Friction	801	691283	Cap-Drive
			691	692407	Seal-Governor Shaft	802	691286	Cap-End
			697	690372	Screw (Drive Cap)	823	698941	Screw (Muffler Adapter)
			705	790561	Nut (Fuel Tank)	830	691095	Stud-Rocker Arm
			718	690959	Pin-Locating	842	691031	Seal-O Ring (Dipstick Tube)
			729	691335	Clip-Wire (Wire Retainer)			
			729A	691224	Clip-Wire (Starter Motor)			
			729B	694123	Clip-Wire			
			741	697128	Gear-Timing			
			750	790832	Screw (Oil Pump Cover)			

Illustrations cover a range of engines. Parts shown without corresponding text may not be used on your specific engine.  
 5036-17 Assemblies include all parts shown in frames. 03/23/2009

# 21B900

REF. NO.	PART NO.	DESCRIPTION	REF. NO.	PART NO.	DESCRIPTION	REF. NO.	PART NO.	DESCRIPTION
847	790442	Dipstick/Tube Assembly Used on Type No(s). 0110, 0114, 0116, 0120, 0121, 0123, 0126, 0130, 0136, 0137, 0139, 0146, 0147, 0149, 0153, 0155, 0159, 0163, 0164, 0183, 0190, 0192, 0193, 0195, 0198, 0203, 0205, 0206.	878	398661	Harness-Alternator	977	690192	Gasket Set-Carburetor (Walbro)
		----- Note -----	883	692236	Gasket-Exhaust	987	691326	Seal-Throttle Shaft
		790443 Dipstick/Tube Assembly (Used On Engines With Fuel Pump) Used on Type No(s). 0015, 0016, 0020, 0022, 0026, 0028, 0029, 0036, 0038, 0117, 0124, 0127, 0129, 0131, 0132, 0138, 0140, 0141, 0142, 0152, 0154, 0156, 0157, 0160, 0194, 0197, 0202.	914	691108	Screw (Rocker Cover)	987A	698777	Seal-Throttle Shaft
			918	791851	Hose-Vacuum (Molded) Used on Type No(s). 0015, 0016, 0026, 0029, 0036, 0117, 0124, 0127, 0129, 0131, 0132, 0138, 0140, 0141, 0142, 0152, 0154, 0156, 0157, 0194, 0197, 0202.	1005	796082	Fan-Flywheel (Used After Code Date 07040800).
850	100100	Sealant-Liquid (Rocker Cover Gasket and Breather Gasket) (Used After Code Date 07071800).	920	691656	Solenoid-Starter Used on Type No(s). 0130, 0136, 0154.	1005A	796200	Fan-Flywheel (Used Before Code Date 07040900).
851	793351	Terminal-Spark Plug	943	690589	Seal-O Ring (Oil Pump Cover)	1005B		Fan-Flywheel (No Longer Available) (See Reference1005A For Service Flywheel Fan).
864	697346	Adapter-Muffler (Length 1.75 Inches)	947A	699915	Solenoid-Fuel	1017	796981	Screen-Oil Pump
		----- Note -----	949	695448	Guard-Debris Screen Used on Type No(s). 0116, 0120.	1022	272475S	Gasket-Rocker Cover (Used Before Code Date 07091000). (After Date Code Use liquid Sealant Reference 850)
		796002 Adapter-Muffler (Length 2.25 Inches)	950	691657	Screw-Float Bowl (Bottom Of Bowl)	1023	791079	Cover-Rocker
868	690968	Seal-Valve	957	792647	Cap-Fuel Tank (Plastic)	1024A	794644	Pump-Oil (Used After Code Date 07051600).
877	393456	Wire/Connector-Alternator (Dual Circuit)	958	698183	Valve-Fuel Shut Off (Plastic) Used on Type No(s). 0119, 0123, 0124, 0127, 0129, 0152, 0155, 0156, 0193, 0198, 0205.	1026	794573	Rod-Push (Exhaust)
877A	393814	Wire/Connector-Alternator (DC Only)	965	499613	Cover-Oil Pump			----- Note -----
877B	393537	Wire/Connector-Alternator (5 To 9 Amp Regulated)	967	697292	Filter-Pre Cleaner	1027	492932S	Filter-Oil
877C	399916	Wire/Connector-Alternator (10 To 16 Amp Regulated)	968	697420	Cover-Air Cleaner (Black)	1029	691751	Arm-Rocker
					----- Note -----	1034	690822	Guide-Push Rod
					697422 Cover-Air Cleaner (Red)	1036		Label-Emissions (Available From A Briggs & Stratton Authorized Dealer)
			972	792168	Tank-Fuel (Plastic)	1040	698368	Plate-Trim Used on Type No(s). 0131, 0132, 0159.
			975	495933	Bowl-Float (Walbro)	1040A	697381	Plate-Trim Used on Type No(s). 0026, 0036, 0038, 0110, 0119, 0123, 0124, 0129, 0130, 0136, 0140, 0147, 0149, 0152, 0153, 0155, 0163, 0183, 0190, 0193, 0195, 0197, 0198, 0203, 0205, 0206.
			975A	699502	Bowl-Float (Nikki) (With Solenoid Seal)	1044	698139	Screw (Flywheel)
					----- Note -----			
					698783 Bowl-Float (Nikki) (Without Solenoid Seal)			

Illustrations cover a range of engines. Parts shown without corresponding text may not be used on your specific engine.  
5036-18 Assemblies include all parts shown in frames. 03/23/2009

# 21B900

REF. NO.	PART NO.	DESCRIPTION	REF. NO.	PART NO.	DESCRIPTION	REF. NO.	PART NO.	DESCRIPTION
1051	691265	Ring-Retaining	1090	691293	Retainer-Brush	1266A	697123	Seal-O Ring (Intake Elbow)
1054	280275	Tie-Cable	1091	691333	Cap-Limiter			
1058	276344	Operator's Manual	1095	691581	Gasket Set-Valve	1267	697419	Latch-Blower Housing (Black)
1059	698516	Kit-Screw/Washer	1119	691183	Screw (Alternator)			----- <b>Note</b> -----
1070	690372	Screw (Flywheel Fan) (Used Before Code Date 07040900).	1127	695407	Screw (Float Bowl)			<b>697424</b> Latch-Blower Housing (Red)
1070A	690363	Screw (Flywheel Fan) (Used Before Code Date 08061900 and After Code Date 07040800).	1139	796449	Washer	1270	697156	Plug-AVS Counterweight
			1263	697124	Reed-Breather (Breather Reed)	1319	794467	Label-Warning
			1264	697104	Screw (Breather Reed)			
			1266	691917	Seal-O Ring (Intake Elbow)			

Not for  
Reproduction

Not for  
Reproduction

